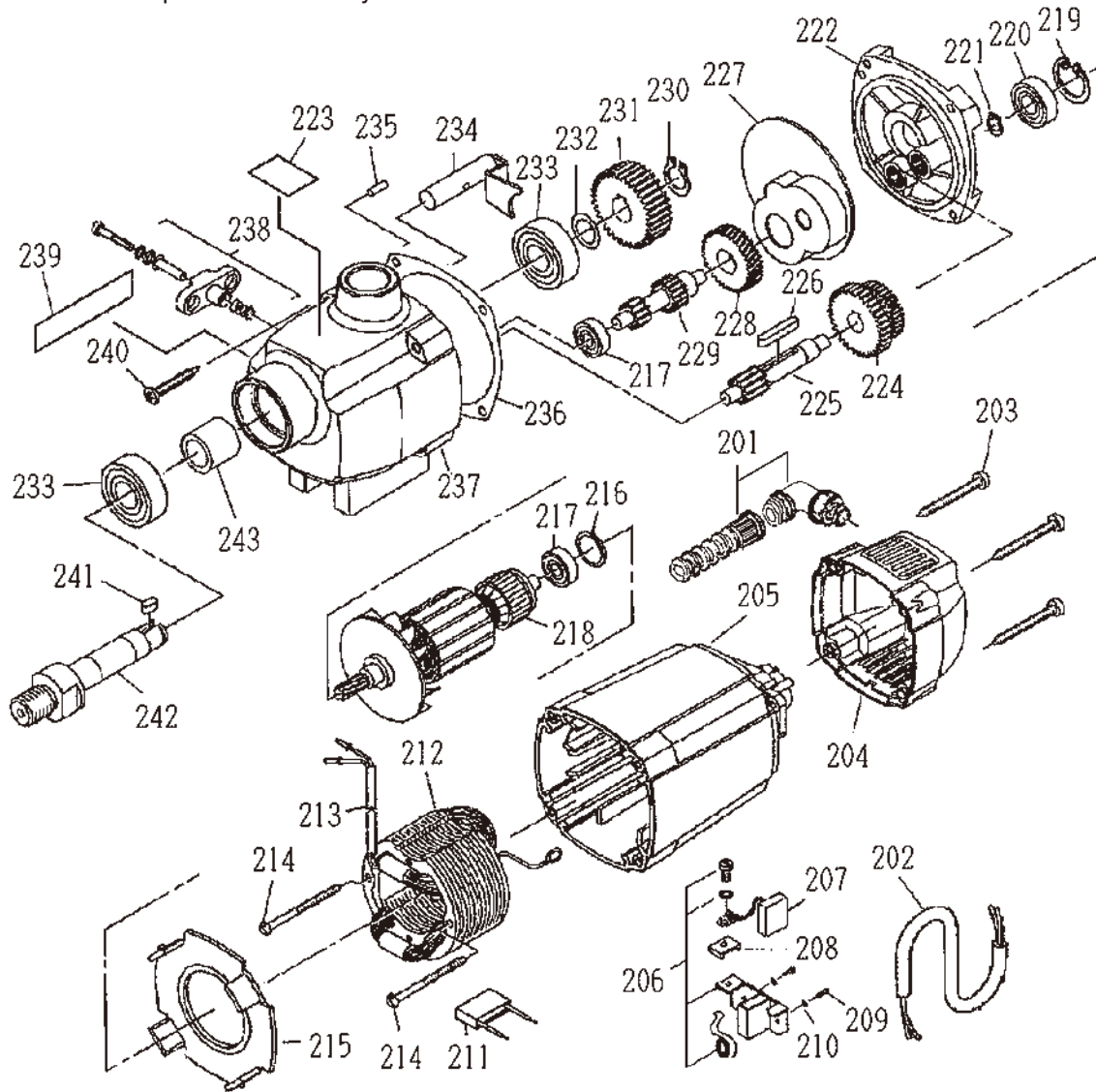


ATRA ACE WA-5000 MOTOR ASSEMBLY AND PARTS LIST

⚠ WARNING Exploded diagram/parts list are subject to change at any time without notice. (As of Feb. 2014)

This diagram is for reference only. Do not attempt to service or repair the Nitto Portable Magnetic Drilling Machine. Do not take the machine apart. Contact an authorized Nitto dealer for all service and repair of the machine. Improper service and repair can cause accidents and severe injuries. Never attempt to modify the machine. Never attempt to service or repair the machine yourself.



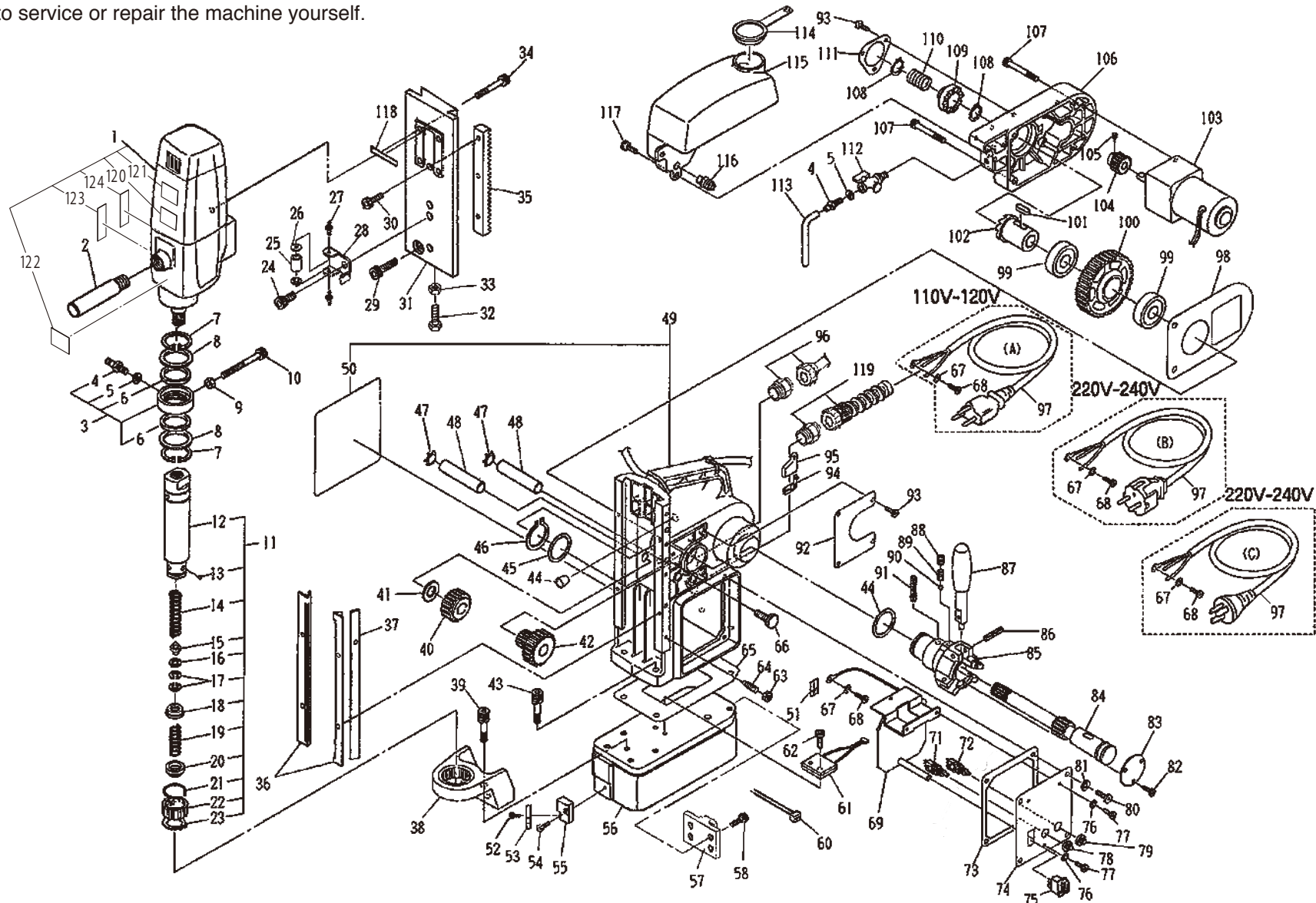
| No. | Part No. | Part Name | Q'ty | Price |
|-----|----------|-------------------------------|------|-------|
| 201 | TQ06824 | Cord Protector | 1 | |
| 202 | TQ06843 | Connecting Cable | 1 | |
| 203 | TQ06819 | Self Tapping Screw HC4.8 × 38 | 4 | |
| 204 | TQ11172 | Cap | 1 | |
| 205 | TQ06850 | Motor Housing | 1 | |
| 206 | TB05193 | Brush Holder Ass'y | 1set | |
| 207 | TB05187 | Carbon Brush Ass'y | 1set | |
| 208 | TQ06838 | Contact Washer | 1 | |
| 209 | TQ06828 | Screw ZM4 × 12 | 2 | |
| 210 | TQ06820 | Spring Washer B4 | 2 | |
| 211 | TQ06851 | Condenser | 1 | |
| 212 | TB07200 | Stator Ass'y (115V) | 1set | |
| | TB07201 | Stator Ass'y (230V) | 1set | |
| 213 | TQ06852 | Insulating Tubing | 1 | |
| 214 | TQ06849 | Self Tapping Screw HC3.9 × 60 | 2 | |
| 215 | TQ06848 | Air Guiding Ring | 1 | |
| 216 | TQ06839 | O-Ring 22 × 2.5 | 1 | |
| 217 | TP00468 | Ball Bearing 608ZZ | 2 | |
| 218 | TB07202 | Armature Ass'y (115V) | 1set | |
| | TB07203 | Armature Ass'y (230V) | 1set | |
| 219 | TP01036 | Internal Retaining Ring C28 | 1 | |
| 220 | TP00498 | Ball Bearing 6001ZZ | 1 | |

| No. | Part No. | Part Name | Q'ty | Price |
|-----|----------|------------------------------|------|-------|
| 221 | TP06390 | External Retaining Ring C11 | 1 | |
| 222 | TB05479 | Bearing Bracket Ass'y | 1set | |
| 223 | TQ10648 | Label Caution Change | 1 | |
| 224 | TQ07076 | Gear Block 34/40Z | 1 | |
| 225 | TQ07075 | Pinion Shaft 13Z | 1 | |
| 226 | TQ07077 | Key A5 × 5 × 28 | 1 | |
| 227 | TQ06825 | Grease Chamber | 1 | |
| 228 | TQ07069 | Intermediate Gear 34Z | 1 | |
| 229 | TQ07070 | Pinion Shaft 11/17Z | 1 | |
| 230 | CP04989 | External Retaining Ring C15 | 1 | |
| 231 | TQ07073 | Spindle Gear 45Z | 1 | |
| 232 | TQ07074 | Fitting Washer 15 × 22 × 0.2 | 1 | |
| 233 | TQ06830 | Ball Bearing 6203LLU | 2 | |
| 234 | TB05399 | Coupling Bolt Ass'y | 1set | |
| 235 | TQ06842 | Notched Pin 4 × 12 | 1 | |
| 236 | TQ06844 | Gear Case Seal | 1 | |
| 237 | TB05478 | Gear Case Ass'y | 1set | |
| 238 | TB05398 | Gear Changer Ass'y | 1set | |
| 239 | TQ10647 | Label Change Knob | 1 | |
| 240 | TQ12925 | PT - Screw 5.0 × 50 | 4 | |
| 241 | TQ07072 | Key A5 × 5 × 12 | 1 | |
| 242 | TQ07071 | Spindle | 1 | |
| 243 | TQ11028 | Collar | 1 | |

ATRA ACE WA-5000 ASSEMBLY

⚠ WARNING Exploded diagram/parts list are subject to change at any time without notice. (As of Feb. 2014)

This diagram is for reference only. Do not attempt to service or repair the Nitto Portable Magnetic Drilling Machine. Do not take the machine apart. Contact an authorized Nitto dealer for all service and repair of the machine. Improper service and repair can cause accidents and severe injuries. Never attempt to modify the machine. Never attempt to service or repair the machine yourself.



ATRA ACE WA-5000 PARTS LIST

The part numbers with () are included in the Ass'y parts written above them.

Exploded diagram/parts list are subject to change at any time without notice. (As of Feb. 2014)

| No. | Part No. | Part Name | Q'ty | Price |
|-----|-----------|--|------|-------|
| 1 | TB07169 | Drill Motor Ass'y (110V-120V) | 1set | |
| | TB07184 | Drill Motor Ass'y (220V-240V) | 1set | |
| - | (TB05187) | Carbon Brush Ass'y | 1set | |
| 120 | (TQ11565) | Label Arbor Warning | 1 | |
| 121 | (TQ13281) | Label Shock Warning | 1 | |
| 122 | (TQ10648) | Label Change Caution | 1 | |
| 123 | (TQ13284) | Label Adaptation Cutter Size | 1 | |
| 124 | (TQ10647) | Label Change Operation | 1 | |
| 2 | TB02534 | Side Handle Ass'y | 1set | |
| 3 | TB00496 | Oil Ring Sub Ass'y | 1set | |
| 4 | (TP14500) | Hose Nipple | 2 | |
| 5 | (CP21947) | Packing 5-4.7 × 8 × 0.8 | 2 | |
| 6 | (TP14499) | Oil Seal GD 38 × 48 × 4 | 2 | |
| 7 | TP14969 | External Retaining Ring ISTW-38 | 2 | |
| 8 | TP12773 | Washer 38.5 × 54 × 1 | 2 | |
| 9 | LP10496 | Hex. Nut M6 | 1 | |
| 10 | TP05469 | Hex. Socket Head Cap Screw 6 × 45 | 1 | |
| 11 | TB07172 | Arbor Body Ass'y | 1set | |
| 12 | (TQ10650) | Arbor Body | 1 | |
| 13 | (TB01672) | Ball 5/16 Ass'y | 1set | |
| 14 | (TQ10649) | Spring 1.4 × 16.2 × 135 | 1 | |
| 15 | (TQ01895) | Pilot Spacer | 1 | |
| 16 | (TP15848) | Spacer 10.5 × 19 × 5 | 1 | |
| 17 | (TP13905) | Internal Retaining Ring RTW-19 | 2 | |
| 18 | (TB01348) | Washer Ass'y | 1set | |
| 19 | (TQ01898) | Spring 0.8 × 12 × 31 | 1 | |
| 20 | (TB01349) | Push Ring Ass'y | 1set | |
| 21 | (TQ01896) | Rotating Spring | 1 | |
| 22 | (TQ01897) | Sleeve | 1 | |
| 23 | (TP15239) | External Retaining Ring C-28 | 1 | |
| 24 | TP03247 | Hex. Socket Head Cap Screw 10 × 15 | 1 | |
| 25 | TQ00670 | Dropper Pipe | 1 | |
| 26 | TQ00671 | Dropper Packing | 2 | |
| 27 | TQ00672 | Dropper Nipple | 2 | |
| 28 | TQ10785 | Dropper Plate | 1 | |
| 29 | TP14174 | Hex. Socket Head Cap Screw 10 × 25 | 1 | |
| 30 | TP01945 | Hex. Socket Head Cap Screw 5 × 12 | 3 | |
| 31 | TQ10646 | Slide Board | 1 | |
| 32 | TQ10849 | Hex. Bolt 8 × 20 | 1 | |
| 33 | TP08584 | Hex. Nut M8 | 1 | |
| 34 | TP04532 | Hex. Socket Head Cap Screw 5 × 30 | 4 | |
| 35 | TP12776 | Rack | 1 | |
| 36 | TP12777 | Slide Plate | 2 | |
| 37 | TQ06773 | Gib | 1 | |
| 38 | TB05407 | Bracket Ass'y | 1set | |
| 39 | TQ03346 | Hex. Socket Head Cap Screw 8 × 30 with Spring Washer | 3 | |
| 40 | TQ06775 | Spur Gear 1.5 × 26 | 1 | |
| 41 | TQ06779 | Washer 12.2 × 28 × 1 | 1 | |
| 42 | TQ06774 | Spur Gear 1.5 × 14 × 29 | 1 | |
| 43 | TQ03345 | Hex. Socket Head Cap Screw 8 × 25 with Spring Washer | 4 | |
| 44 | TQ10791 | Rubber Stopper | 1 | |
| 45 | TQ06780 | Washer 32.2 × 42 × 2 | 2 | |
| 46 | TQ06781 | External Retaining Ring ISTW-32 | 1 | |
| 47 | TQ04715 | Internal Retaining Ring CRTW-12 | 2 | |
| 48 | TQ06776 | Shaft | 2 | |

| No. | Part No. | Part Name | Q'ty | Price |
|-----|-----------|---|------|-------|
| 49 | TB08778 | Body Sub Ass'y | 1set | |
| 50 | (TB12858) | Label Warning | 1 | |
| 51 | (LP13557) | Label Earth | 1 | |
| 52 | TP01945 | Hex. Socket Head Cap Screw 5 × 12 | 1 | |
| 53 | TQ10787 | Blade | 1 | |
| 54 | TP14178 | Hex. Socket Head Cap Screw 6 × 10 | 1 | |
| 55 | TQ10695 | Blade Base | 1 | |
| | TB07174 | Sqare Pole Ass'y (110V-120V) | 1set | |
| 56 | TB07185 | Sqare Pole Ass'y (220V-240V) | 1set | |
| 57 | TP17985 | Chain Guide | 1 | |
| 58 | TP01644 | Hex. Socket Head Cap Screw 6 × 12 | 4 | |
| 60 | TB00573 | D Cord Ass'y | 1set | |
| 61 | TB01363 | Side Slip Detection Function Ass'y | 1set | |
| 62 | TQ10600 | Hex. Socket Head Cap Screw 4 × 18 | 2 | |
| 63 | TP07419 | Hex. Nut Type3 M6 | 5 | |
| 64 | TQ00730 | Hex. Socket Set Screw with Dog Point 6 × 20 | 5 | |
| 65 | TQ06794 | Packing Pole | 1 | |
| 66 | TP02931 | Set Screw | 1 | |
| 67 | TP04464 | Toothed Lock Washer B M4 | 2 | |
| 68 | LP08489 | Binding Head Screw 4 × 6 | 2 | |
| 69 | TB09056 | Control Board Ass'y (110V-120V) | 1set | |
| | TB09057 | Control Board Ass'y (220V-240V) | 1set | |
| 71 | TB07055 | Switch SW3 Ass'y | 1set | |
| 72 | TB07054 | Switch SW2 Ass'y | 1set | |
| 73 | TQ06787 | Packing Body | 1 | |
| 74 | TQ10654 | Switch Plate | 1 | |
| 75 | TQ07306 | Rocker Switch | 1 | |
| 76 | TQ00258 | Seal Washer M4 | 3 | |
| 77 | TQ01526 | Pan Head Screw 4 × 10 | 3 | |
| 78 | TQ10085 | Waterproofing Cap Black | 1 | |
| 79 | TQ10467 | Waterproofing Cap Red | 1 | |
| 80 | TP02419 | Pan Head Screw 6 × 10 | 4 | |
| 81 | TQ01331 | Seal Washer M6 | 4 | |
| 82 | TP08598 | Pan Head Screw 3 × 5 | 3 | |
| 83 | TQ06762 | Plate Automatic Feeder | 1 | |
| 84 | TQ06760 | Gear Shaft | 1 | |
| 85 | TQ06761 | Handle Stem | 1 | |
| 86 | TP12821 | Spring Pin 5 × 26 AW Double | 3 | |
| 87 | TQ00680 | Rod Handle | 3 | |
| 88 | TP06397 | Hex. Socket Set Screw with Cup Point 6 × 8 | 3 | |
| 89 | TP06396 | Spring | 3 | |
| 90 | CP01123 | Ball 3/16 | 3 | |
| 91 | TQ06759 | Spring Pin 8 × 40 AW | 1 | |
| | TQ12884 | Plate Spec. (110V-120V) | 1 | |
| 92 | TQ12849 | Plate Spec. (220V-240V) | 1 | |
| 93 | TP12819 | Pan Head Screw 4 × 6 | 7 | |
| 94 | TQ07308 | Terminal #250 42232-3 | 2 | |
| 95 | TQ07309 | Sleeve 170891-1 | 2 | |
| 96 | TQ07097 | Cable Connector 3217 | 1 | |
| | TB05877 | Cabtyre Cord Ass'y (A) (110V-120V) | 1set | |
| | TB05896 | Cabtyre Cord Ass'y (B) (220V-240V) | 1set | |
| 97 | TB04482 | Cabtyre Cord Ass'y (C) (220V-240V) | 1set | |
| 98 | TQ06782 | Packing Gear Box | 1 | |
| 99 | TQ06766 | Ball Bearing 6906ZZ | 2 | |
| 100 | TQ06764 | Spur Gear 1 × 88 | 1 | |

| No. | Part No. | Part Name | Q'ty | Price |
|-----|----------|--|------|-------|
| 101 | TQ06765 | Parallel Key 8 × 7 × 20 Both ends round | 1 | |
| 102 | TQ06763 | Clutch B | 1 | |
| 103 | TQ06767 | Geared Motor | 1 | |
| 104 | TQ06768 | Spur Gear 1 × 23 | 1 | |
| 105 | CP26427 | Hex. Socket Set Screw with Cup Point 5 × 6 | 1 | |
| 106 | TQ06769 | Gear Box | 1 | |
| 107 | TQ06770 | Hex. Socket Head Cap Screw 4 × 35 | 8 | |
| 108 | TP06387 | External Retaining Ring GV-16 | 2 | |
| 109 | TP12325 | Clutch A | 1 | |
| 110 | TP06374 | Spring | 1 | |
| 111 | TQ06777 | Cover Plate | 1 | |
| 112 | TP14495 | P-Valve PT1/8 | 1 | |
| 113 | TB01098 | Tube 4 × 7 × 3000 Ass'y (150mm × 2) | 1set | |
| 114 | TQ06785 | Rubber Cap | 1 | |
| 115 | TQ06784 | Oil Tank | 1 | |
| 116 | TQ06786 | Rubber Plug | 1 | |
| 117 | TP04715 | Hex. Socket Head Cap Screw 4 × 8 | 3 | |
| 118 | TQ11027 | Shim 0.2 | 1 | |
| 119 | TQ11075 | Cable Connector 3247 | 1 | |

Accessories

| No. | Part No. | Part Name | Q'ty | Price |
|-----|----------|-------------------------|------|-------|
| - | TP04696 | Hex. Socket Screw Key 3 | 1 | |
| - | TP01939 | Hex. Socket Screw Key 4 | 1 | |
| - | TP17014 | Spanner 8 × 10 | 1 | |
| - | TJ16019 | Pilot Pin 08050 | 1 | |
| - | TA99027 | Chain Ass'y | 1set | |
| - | TB02145 | Cutting Oil 0.5L Ass'y | 1set | |
| - | TB05418 | Guard Ass'y | 1set | |
| - | TQ12850 | Instruction Manual | 1 | |